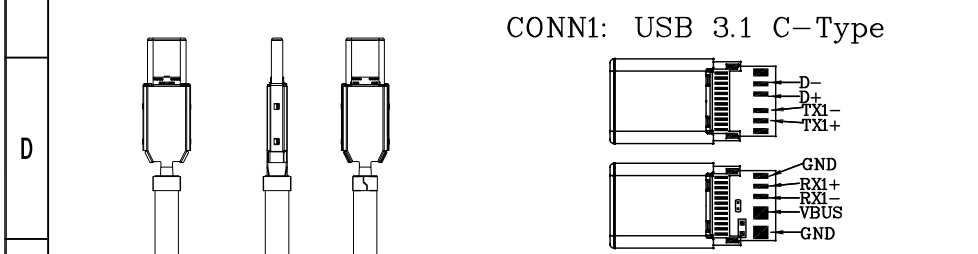
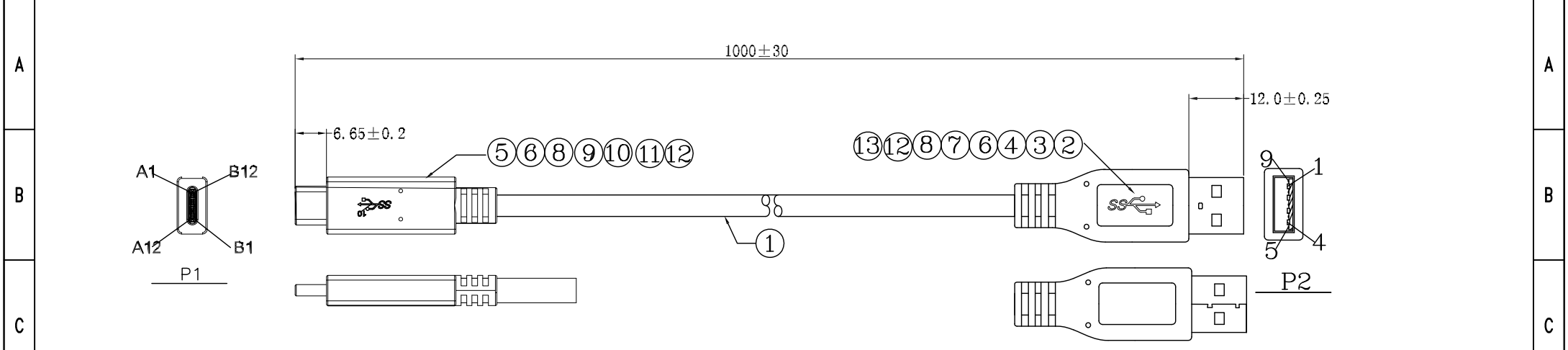
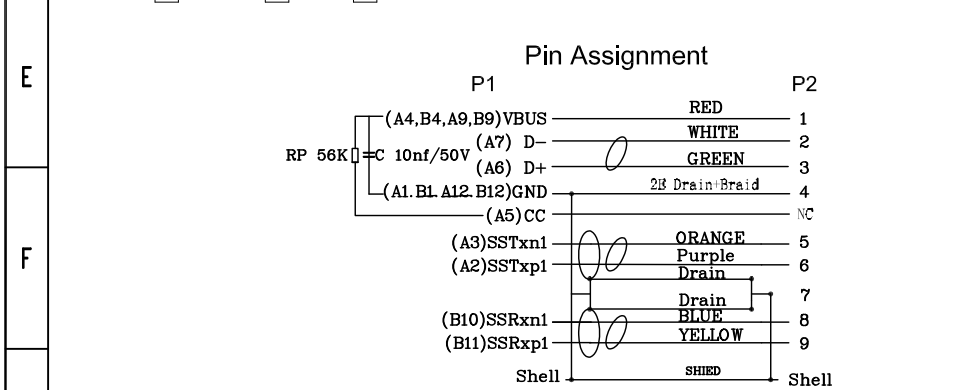


1 2 3 4 5 6 7 8



CONN1: USB 3.1 C-Type



ORDER INFORMATION

RoHS Compliant

C3CMDM **5** **B** **2-276**
 USB 3.1 CM TO USB 3.0 AM Cable Cable Length 5:1000mmL Housing Color B: Black Cable O.D. 2:4.8

13	LDPE	3	g
12	W=5mm 25u Copper Foil	0.035	M
11	Low Pressure internal mold hardness : 40~48D UL94V-0	1	g
10	USB C Solder Tin Plated On the cover Nickel Plated	1	pc
9	USB C Solder Tin Plated Under cover Nickel Plated	1	pc
8	H.S.T. Ø1.0 Black	0.02	M
7	H.S.T. Ø2.5 Black	0.028	M
6	45P Black PVC	12	g
5	USB 3.1 C TO LEGACY V1.0 PCB+SMT (56K) Shell Nickel Plated	1	pc
4	USB 3.0 AM Front Shell Nickel Plated	1	pc
3	USB 3.0 AM Back Shell Nickel Plated	1	pc
2	USB 3.0 AM 9Pin Solder Blue Gold Plated	1	pc
1	USB 3.1-[30AWG (7/0.1BC) +EAM]*2P[30AWG (7/0.10BC) +A]*1P+24AWG (41/0.08TC) *1C+E (41/0.08TC+250D Nylon) AB (16/10/0.08TC 85%TC) Ø4.8 Black Jacket	1.02	M
No.	SPECIFICATION DESCRIPTION		QTY UNIT

REV.	REVISION RECORD	DATE	General Tolerance LINEAR 0.0 ±0.35 ANGLE ±3° 0.00 ±0.20			
A	Original	11/03/17"	UNIT:mm			
			A4	NAME	DATE	TITLE: USB CM With AM Cable 1000L
			APPROVED	SUNNY		DWG.NO: C3CMDM5B2-276 REV. A
			DESIGNER	TED		
			DRAWN	HILERN		SCALE 1:1 SHEET 1 OF 1

1 2 3 4 5 6 7 8